

Sushi Express

Delivering Special Orders Direct to Your Customers

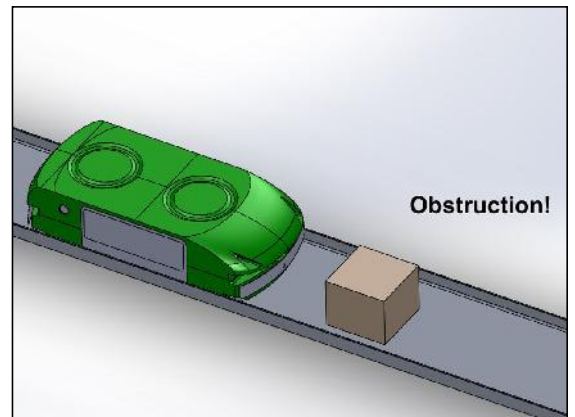
The Sushi Express Car delivers food directly to your customers without the need of waiter. It can serve food to your customer quickly and efficiently, reducing the movement of staff and increasing your customers dining experience.

Dimension of the car:
 Length: 340mm
 Height: 98mm
 Width: 184mm
 Weight: Approx 8 kgs

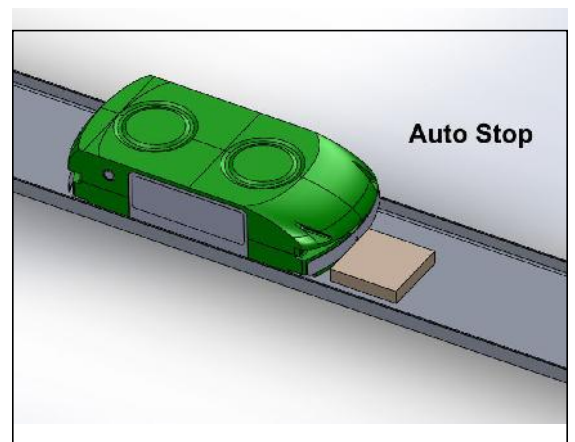


Technical Details

Car	
Maximum Load:	5 kgs
Motor Type:	14 W, Servo Motor
Speed:	Up to 60m/min
Stop Position:	Magnetic Marker
Connectivity:	WiFi
Control Platform:	Android
Return Button:	Soft Touch
Electrical Specification	
Voltage:	110V - 240V
Charging Type:	Automatic
Battery:	Long Life Lithium Ion
Track:	
Material:	Aluminium
Finishing:	Powder Coated Silver
Standard Straight Length:	3m
LED Indicator Lights	
White:	Moving Forward
Orange:	Reverse Direction
Green:	Indication of SGC Arrival
Red :	Alert



Safety sensor detect any obstacle at a distance of 40mm.



Safety bumper sensor detects any object that touches it and instantly stops the car.

Watch our video at:

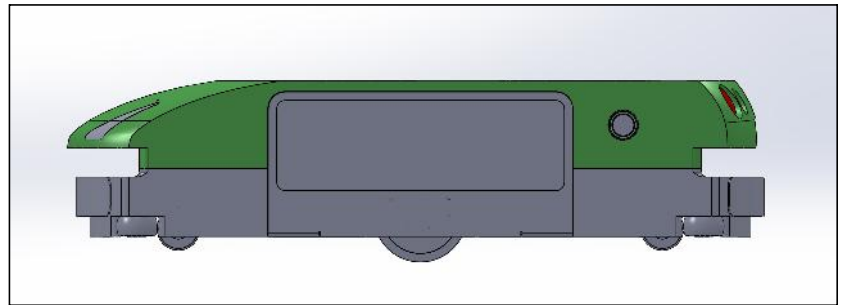
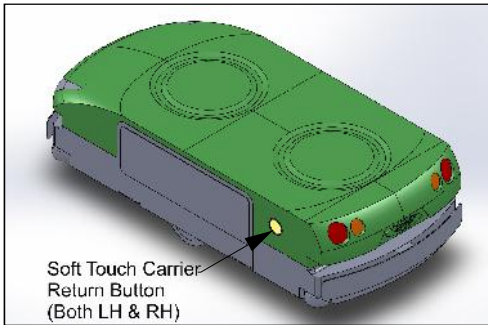
http://www.sushi-conveyors.com/contents_videos.htm

How it Works

The control system is designed on the Android Platform. Therefore any tablet / phone can be used to connect with our automated delivery system. Its Simple & Easy!



Once the car has arrived at the table the soft touch button illuminates. The customer then takes their food and touches the button, the car then automatically returns to the kitchen. If customer does not touch the button a self-timer tells the car to return to the kitchen.



Easy Installation & Relocation.

This system can easily be installed in any restaurant. It does not require electronic sensors to identify the location of customer's table. Hence table configuration can be altered when required.

Safe.

No chain or moving parts. Make the system very safe in operation.

No Limit on Length and Layout.

As the track is very simple we can design and install a layout to suit your restaurant.

Easy Integration. Using the Android Platform it can be integrated with any existing ordering system in the restaurant.

